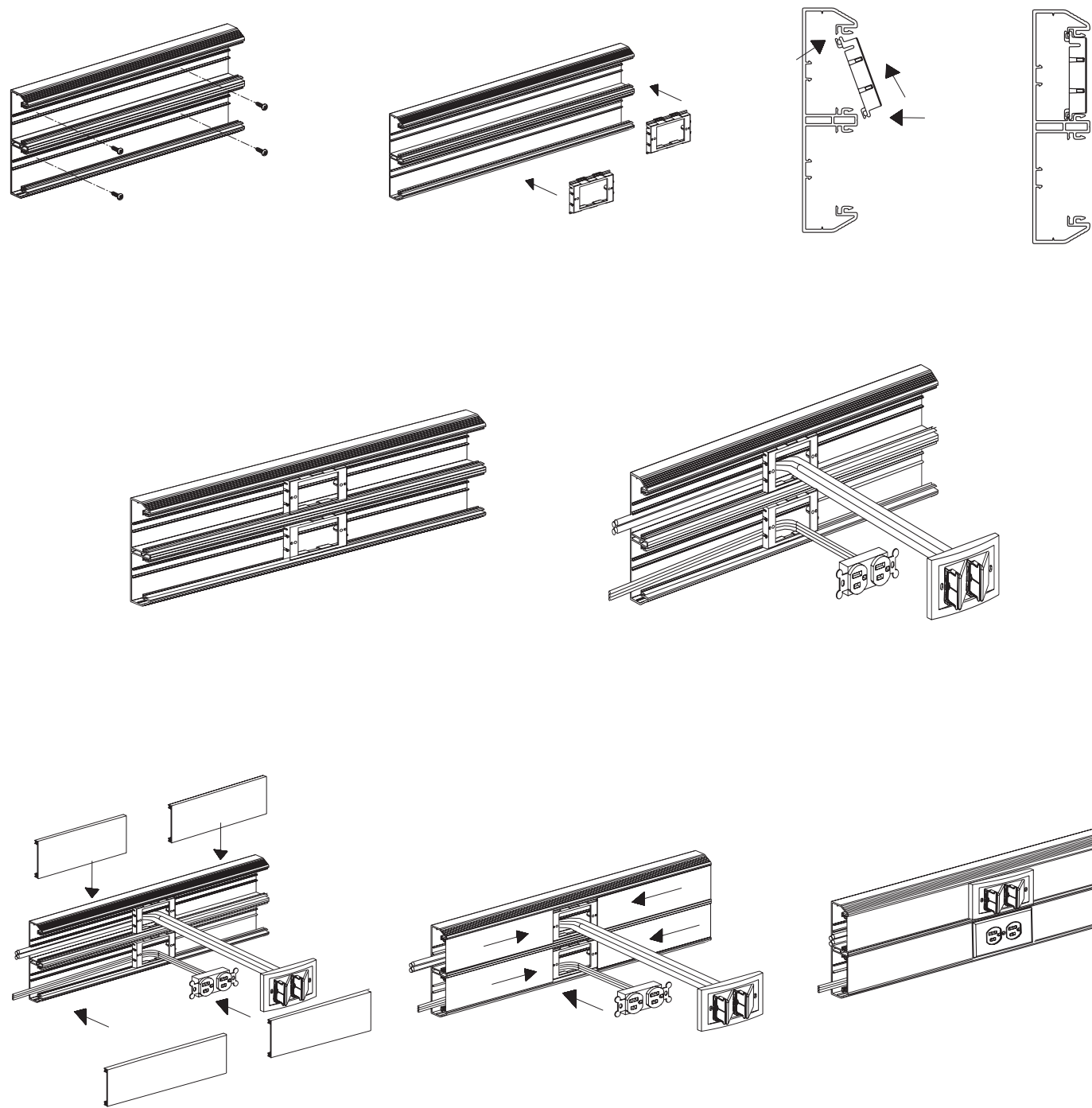


T702 RACEWAY SYSTEM INSTALLATION INSTRUCTIONS

ACCESSORIES continued HANGING DEVICE BRACKET



PAN-WAY T702 RACEWAY

PART NUMBERS: T702B, T70C, T70DW, T70WR, T70DB, T702BC, T70CC, T702IC, T702RA, T702OC, T702EC

FOR USE WITH PANDUIT SURFACE RACEWAY ROUTING SYSTEM

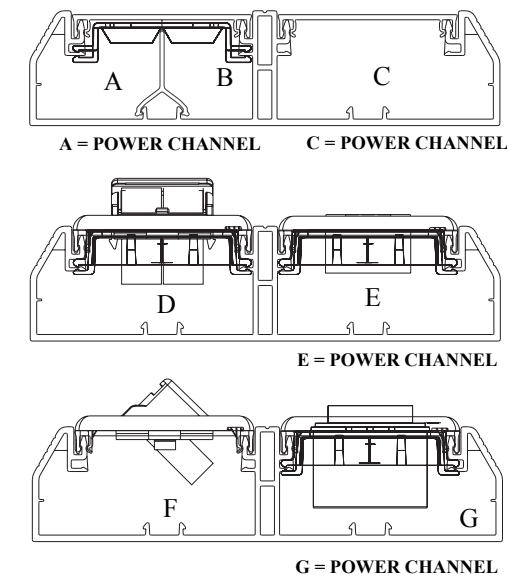
INSTALLATION INSTRUCTIONS

©Panduit Corp. 2009

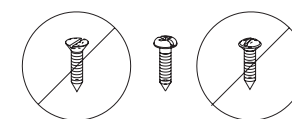
Printed In U.S.A.

RACEWAY TYPE	SEE FIG.	* ELECTRICAL CONDUCTORS		
		14 AWG THHN/T90	12 AWG THHN/T90	10 AWG THHN/T90
T702 WITH DIVIDER WALL AND WIRE RETAINER /OPEN CHANNEL	A	16	16	15
	B	-	-	-
	C	16	16	15
T702 WITH DEVICE BRACKET AND SLOPED FACEPLATE AND DUPLEX OUTLET	D	-	-	-
	E	17	16	14
T702 WITH SNAP-ON COMMUNICATIONS /TVSS DEVICE	F	-	-	-
	G	15	13	13

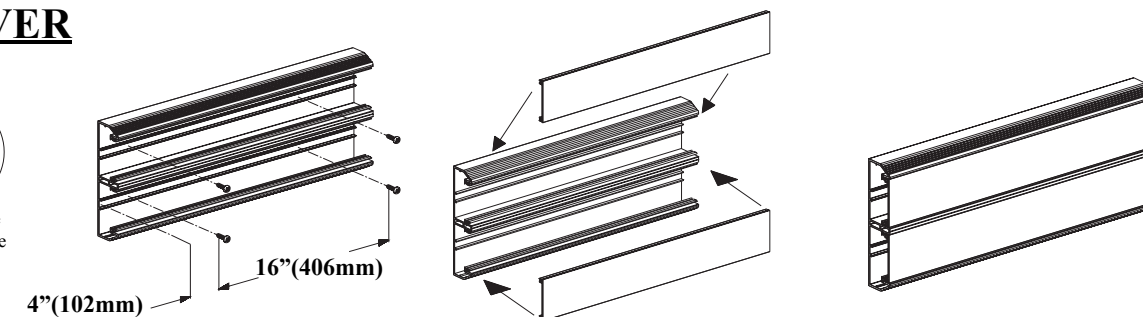
* WIRES NOT BUNDLED



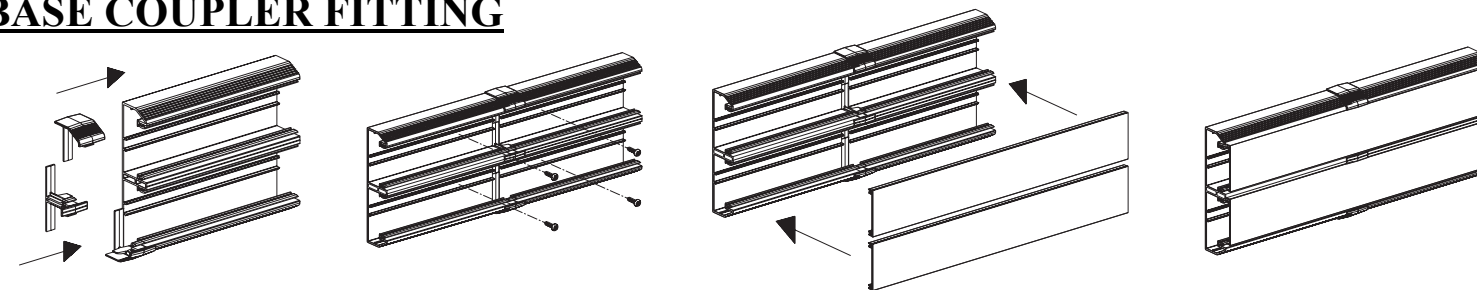
BASE AND COVER



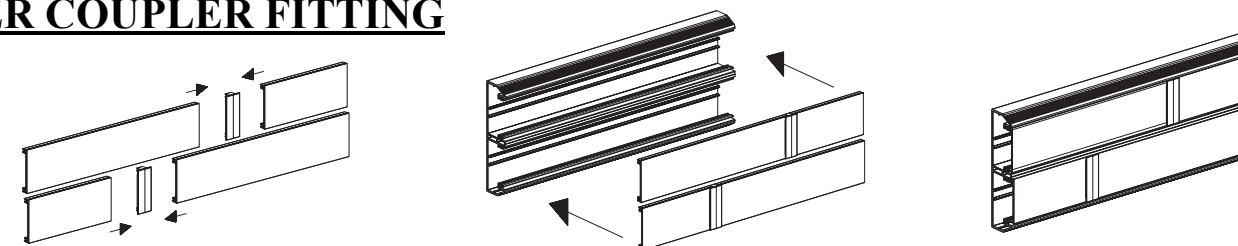
The mounting hardware used to secure the raceway shall be appropriate for the mounting surface.



BASE COUPLER FITTING



COVER COUPLER FITTING



Instruction Sheet RW05C

WORLDWIDE SUBSIDIARIES AND SALES OFFICES

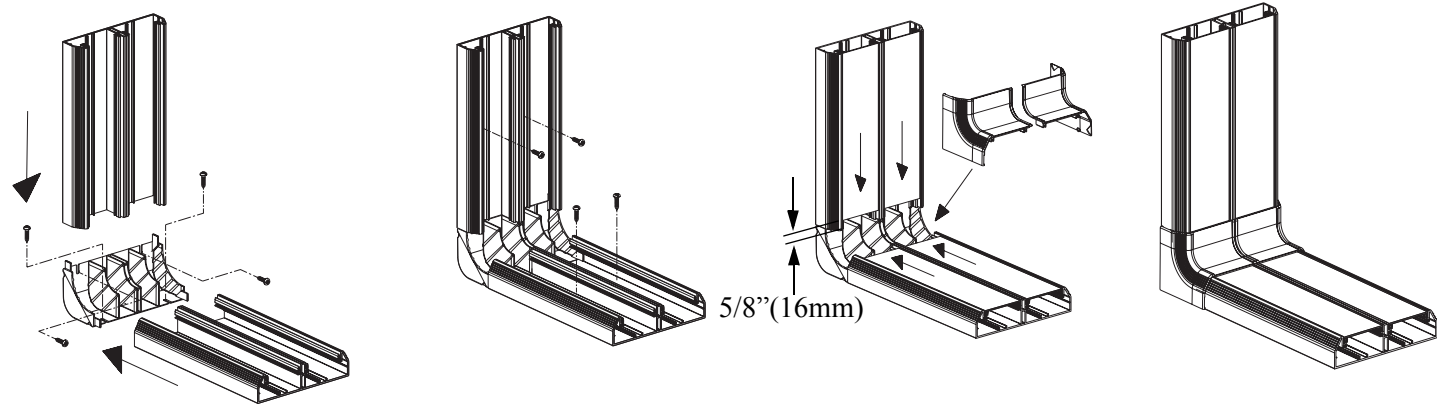
17301 Ridgeland Avenue
Tinley Park, IL 60477-3091
Web Site: www.panduit.com



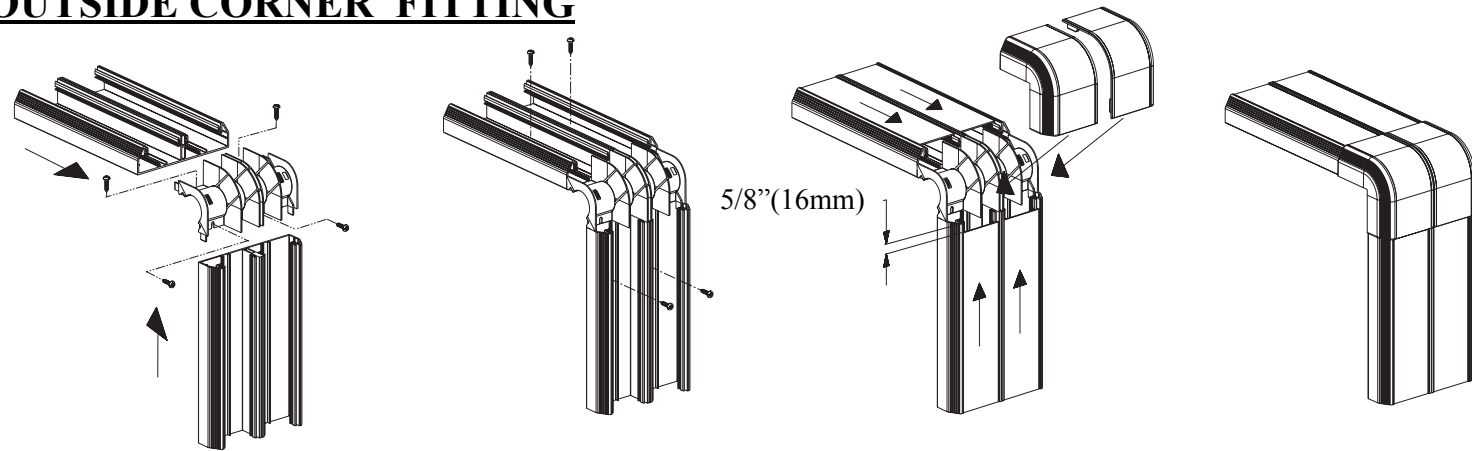
Fax: 708-532-1811
Technical Support: 800-777-3300

For Technical Assistance call: 800-777-3300

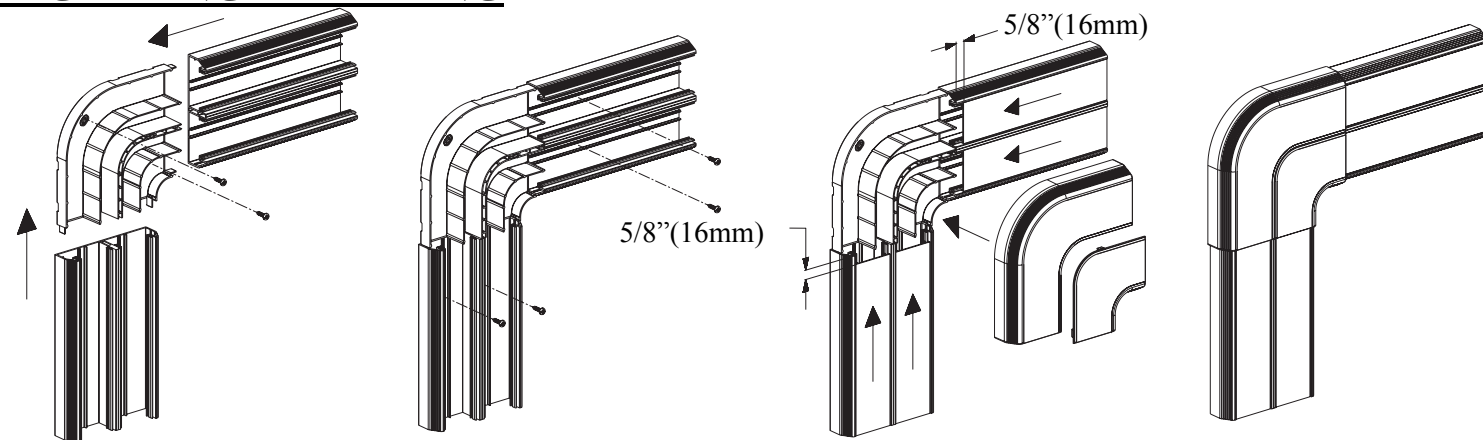
INSIDE CORNER FITTING



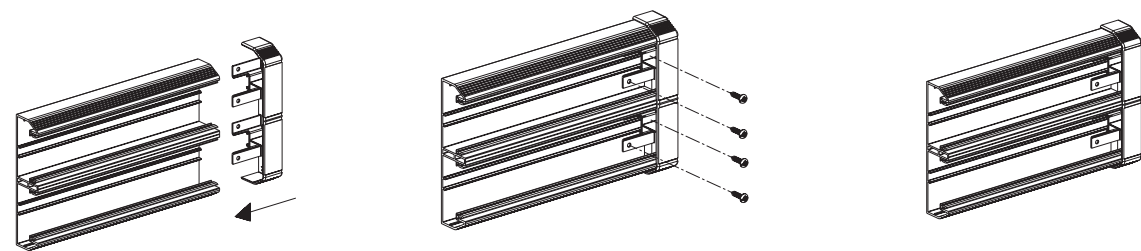
OUTSIDE CORNER FITTING



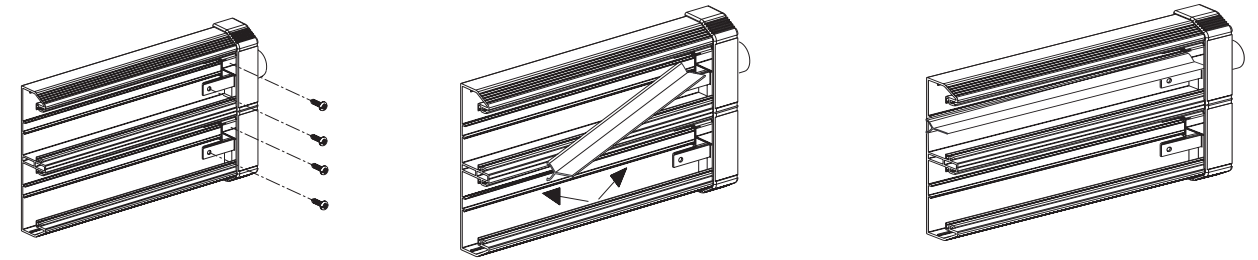
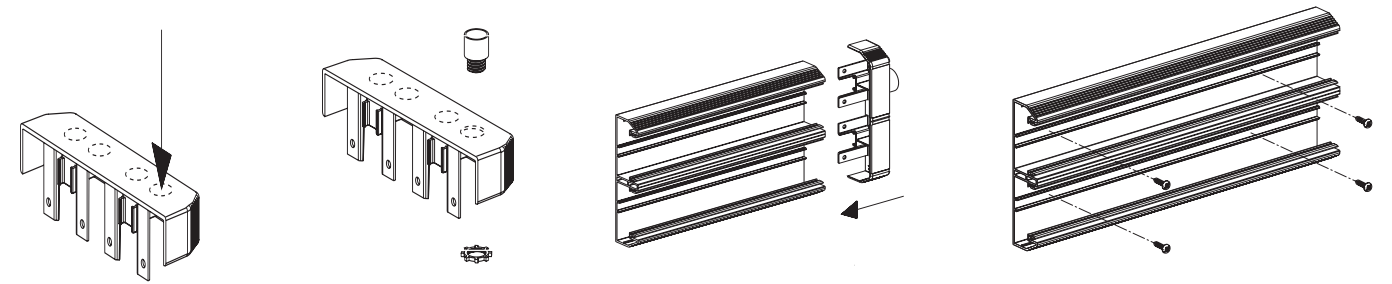
RIGHT ANGLE FITTING



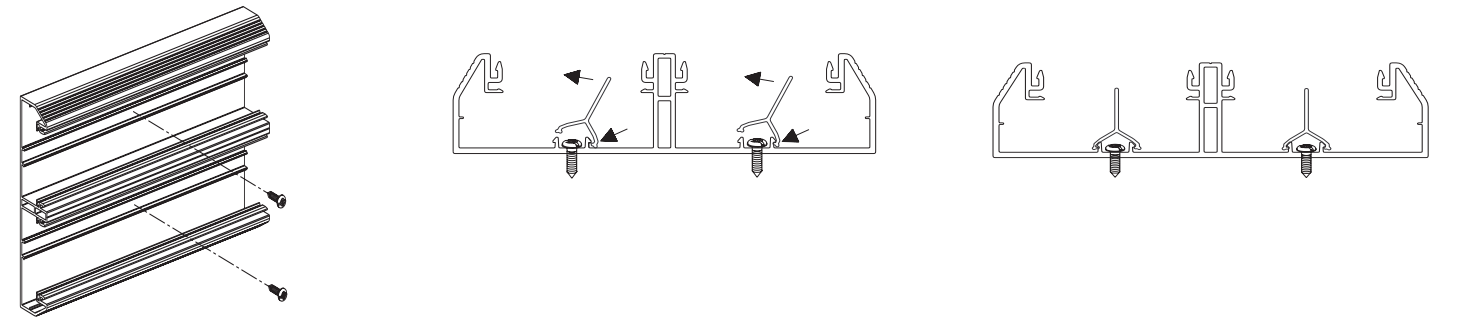
END CAP FITTING



END CAP WITH CONDUIT



ACCESSORIES
DIVIDER WALL



WIRE RETAINER

