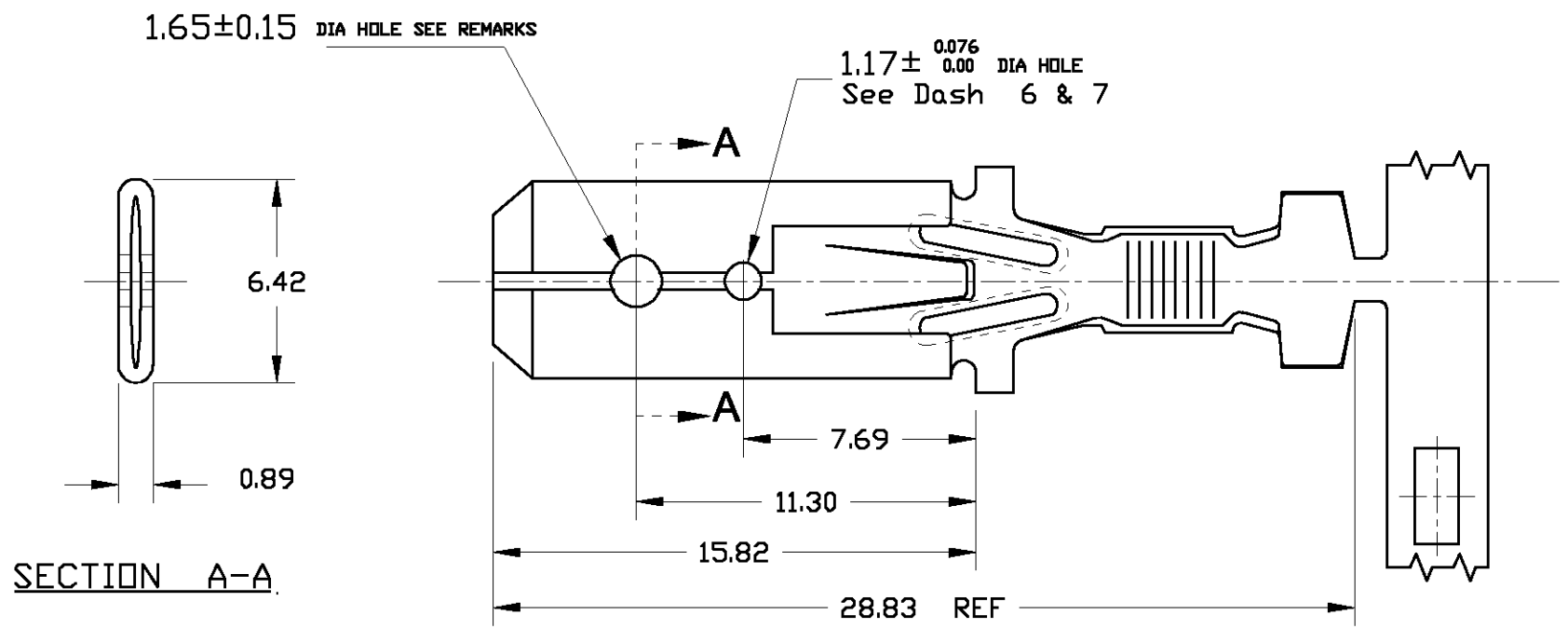


USED ON _____

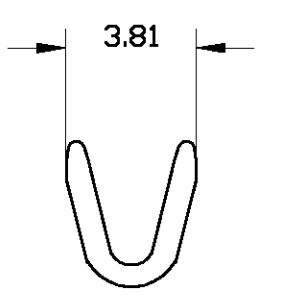
DVG NO 155378
 THIS DRAWING IS A CONTROLLED DOCUMENT



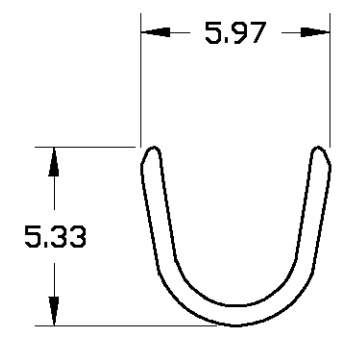
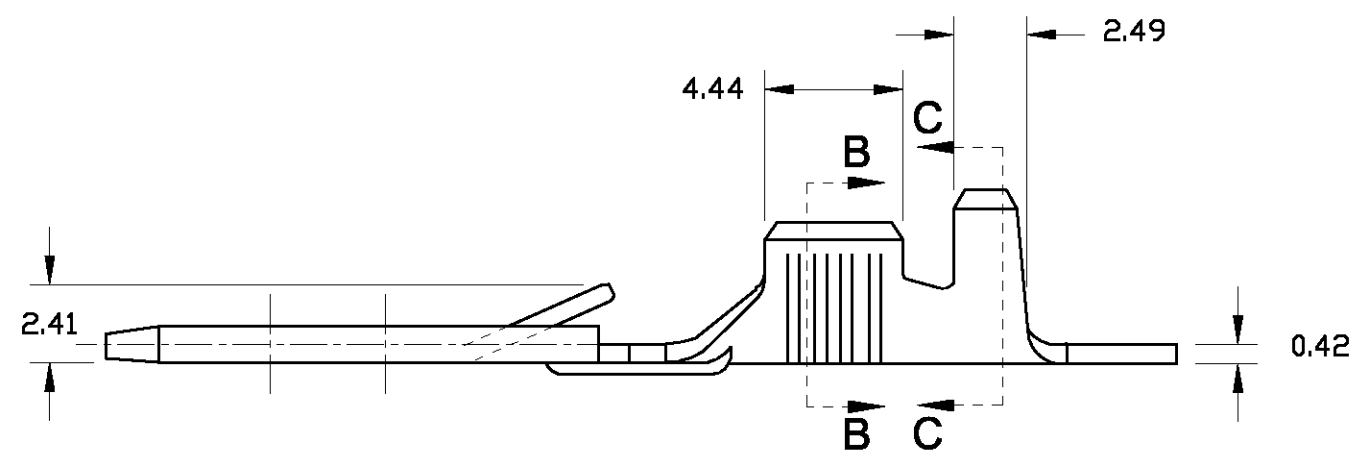
SECTION A-A

NOTES:

- 1 DIMENSIONS WITH MAX. TOLERANCES (DIMENSIONES CON TOLERANCIAS MAX)
- 2 FOR REVERSE REAL SEE DWG. 155098 DASCHES 1 - 2 - 3 AND 4 ONLY. (PARA ENROLLADO OPUESTO VER DIDUJO 155098- 1, 2, 3 Y 4 SOLEMANTE.)



SECTION B-B



SECTION C-C

WITH BOTH LOCKING HOLES 1.65 AND 1.17 DIA.	NONE (NINGUNO)	PHOS. BRONZE	155378-8
WITH BOTH LOCKING HOLES 1.65 AND 1.17 DIA.	TIN PLATED (ESTAND)	BRASS (LATON)	155378-7
	NONE (NINGUNO)	BRASS (LATON)	155378-6
WITH BOTH LOCKING HOLES	NONE (NINGUNO)	PHOS. BRONZE	155378-5
WITH LOCKING HOLE 1.65 ONLY	TIN PLATED (ESTAND)	BRASS (LATON)	155378-4
	NONE (NINGUNO)	BRASS (LATON)	155378-3
WITH BOTH LOCKING HOLES	TIN PLATED (ESTAND)	BRASS (LATON)	155378-2
	NONE (NINGUNO)	BRASS (LATON)	155378-1
REMARKS (OBSERVS.)	FINISH (TERMINADO)	MATERIAL	PART NUMBER

WIRE RANGE 18-14	DIMENSIONS: mm -DIMENSIONS APPLY BEFORE PLATING- TOLERANCES UNLESS OTHERWISE SPECIFIED: 2 PLC ± 0.10 3 PLC ± 0.25 ANGLES ± 1°	
INSUL RANGE -	CHK J ELIAS	
SURF AREA -	DWN A LOPEZ	APVD J ELIAS

tyco Electronics		Tyco Electronics México, SA Tlanepantla, MEX 54060	
NAME FASTIN FASTON TAB .250 SERIES			
SCALE NTS	SIZE A3	DRAWING NO C - 155378	REV L
SHEET 1		OF 1	

LOC AF						APPL FEED -	TRIMMING BURR -
DIST 50	L	REV PER 063A-0553-02		JR -	ND -	REELING -	SPLICE -
P LTR		REVISION RECORD		DATE	DWN	APVD	